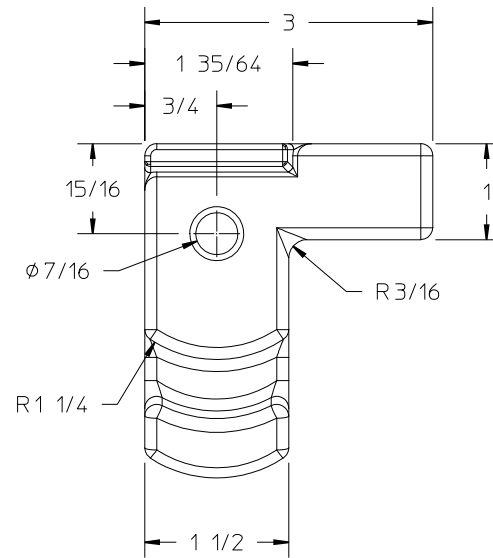
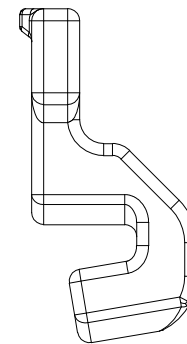


LEFT



FRONT



RIGHT



R-48 Beam Hanger Assembly

- 1 Pc R-48 A Rt Side HTAC Alloy
- 1 Pc R-48 A Lt Side HTAC Alloy
- 1 Pc 2" X 3/8" 304 SS Hex Head Bolt
- 2 Pc 3/8" CS Washer
- 1 Pc 3/8" 304 SS Hex Nut

AnchorTech, LLC
 16610 SE 34th Way
 Vancouver, WA 98683

Phone: (360)836-8217
 Fax: (360)326-3835
 Email: Ayecapnbob@aol.com
 Web: www.AnchorTechLLC.com

Dimensions for reference only
 Scale = 1:2



AnchorTech, LLC

TITLE

BEAM HANGER ASSY

PART NO

R-48

MATERIAL OPTIONS

HTAC ALLOY