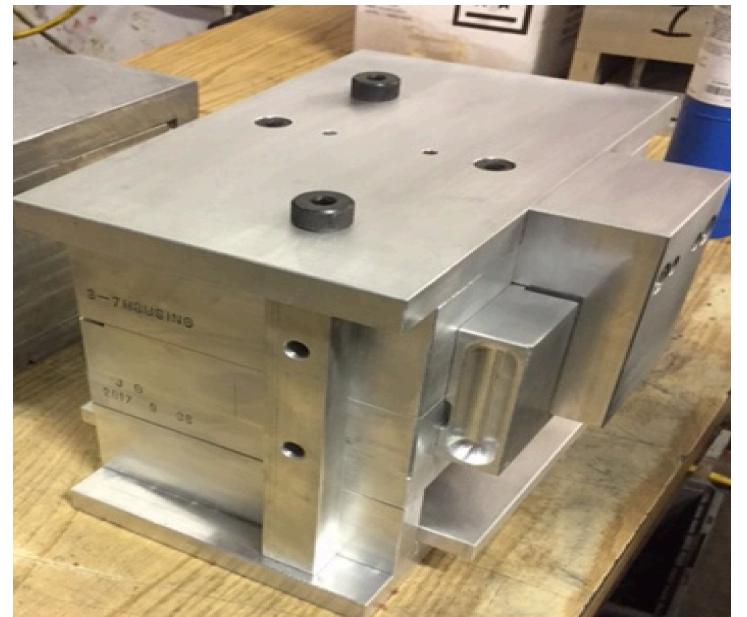
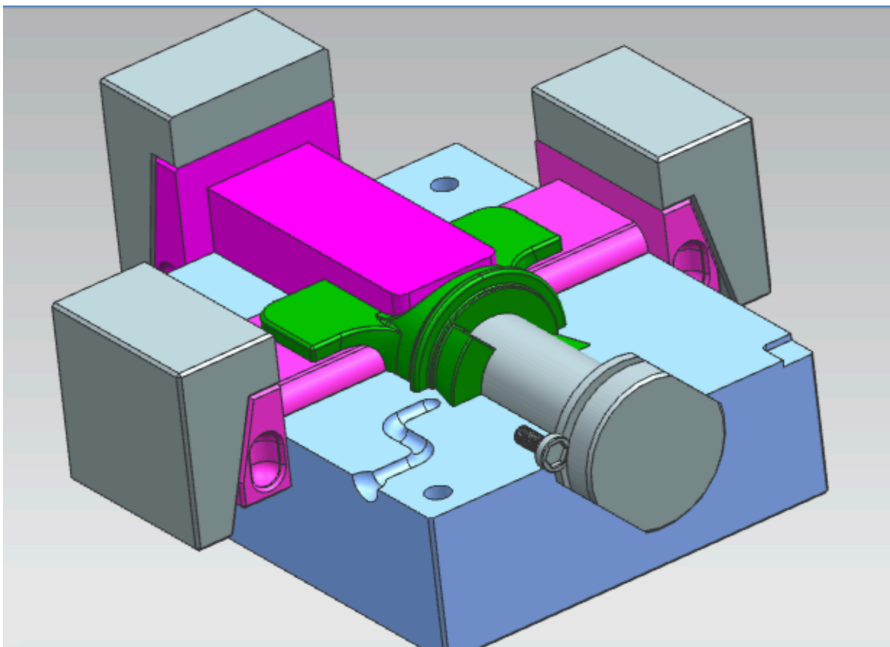
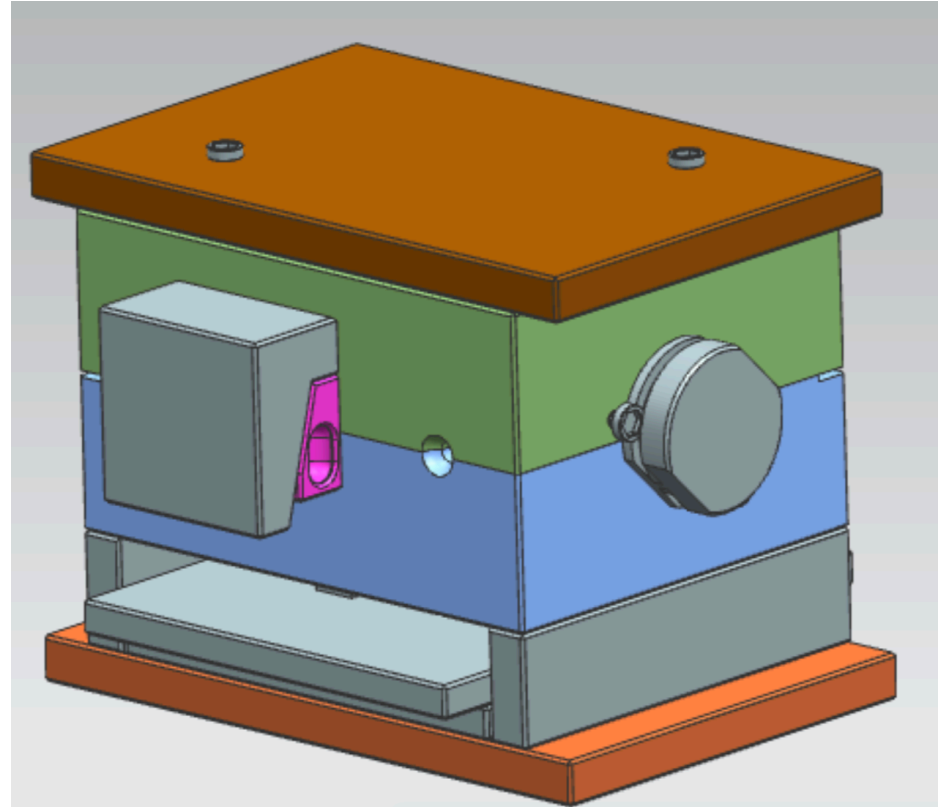
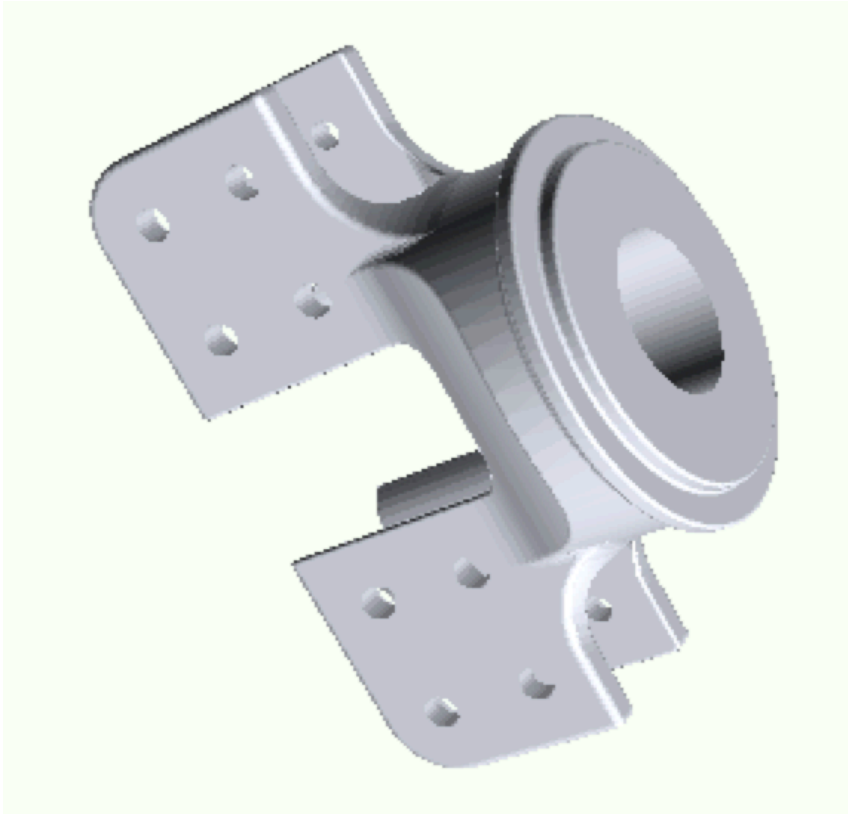




Improvement through Innovation

Case Study

Investment Cast tooling



1. Part from CAD
 2. Tool Design
 3. Exploded View
 4. Tool
 5. Waxes
- Start to finish:
5-6 Weeks