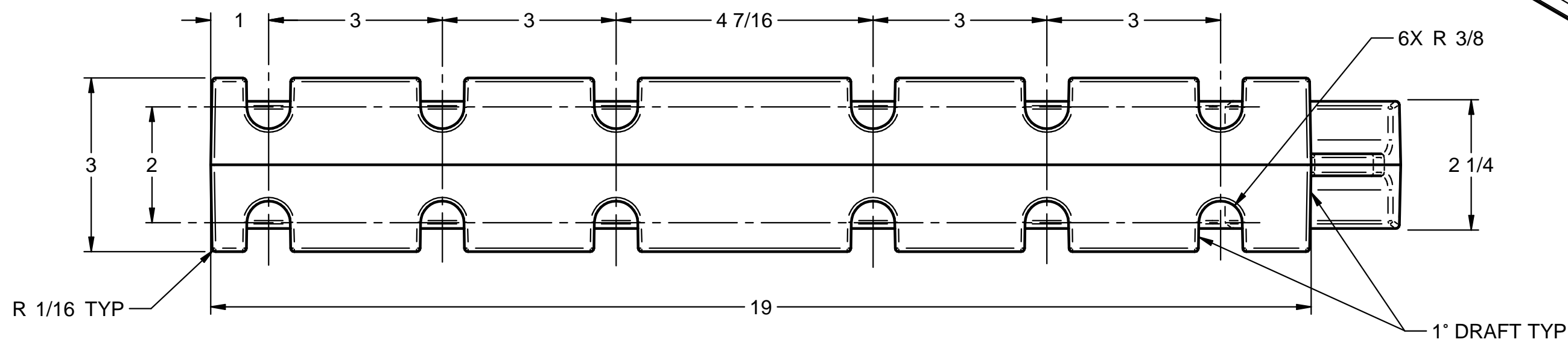
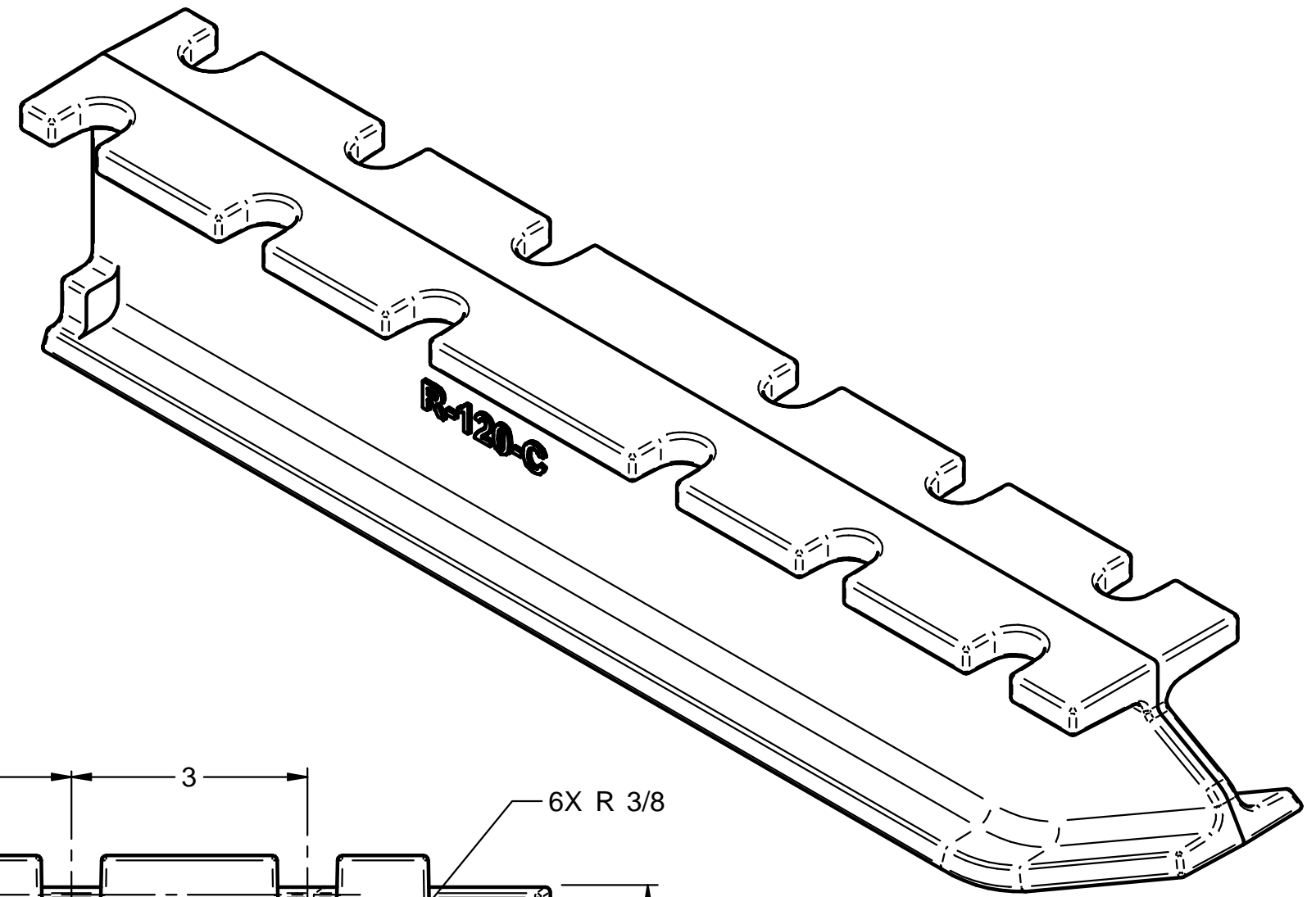
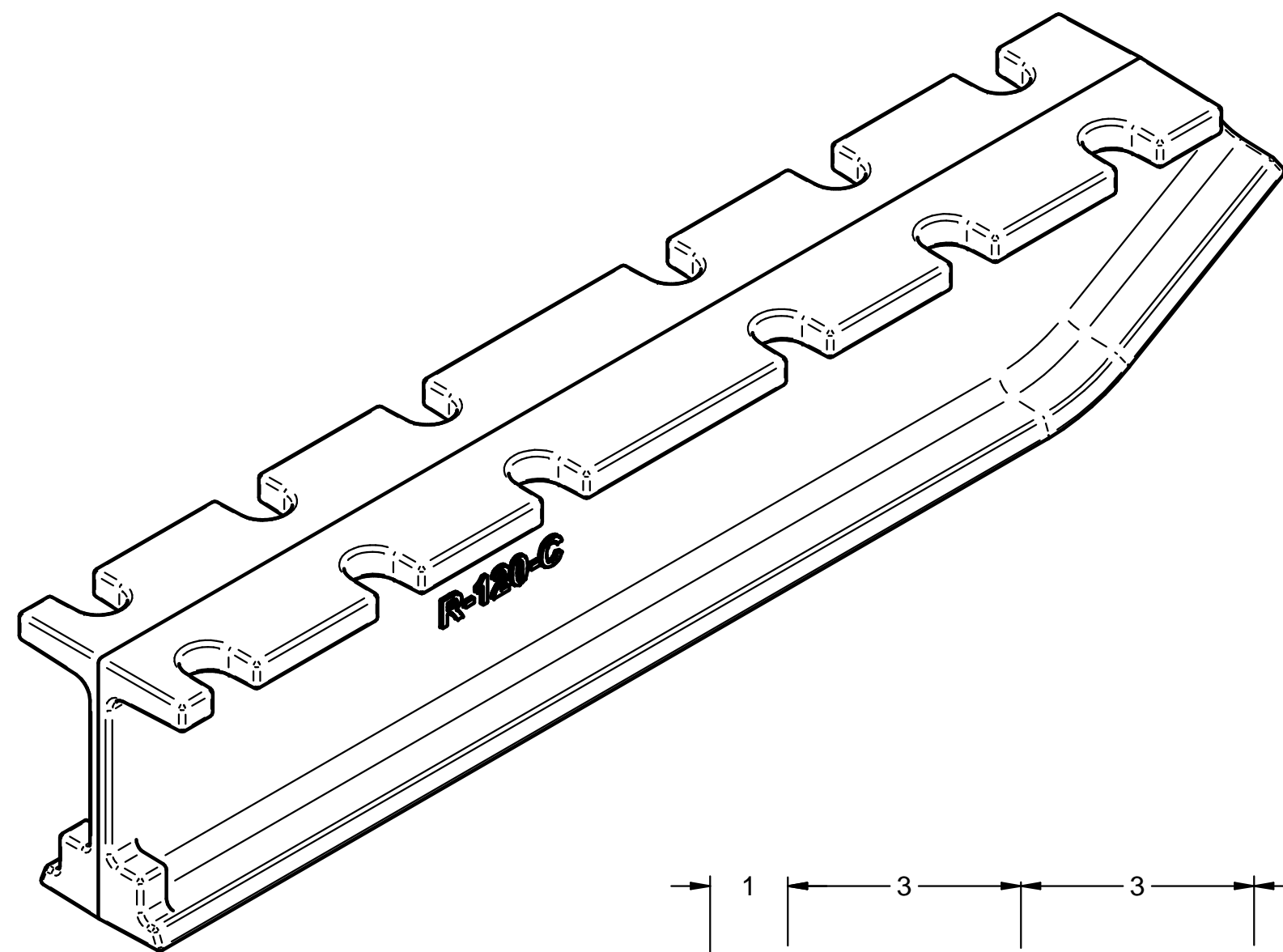
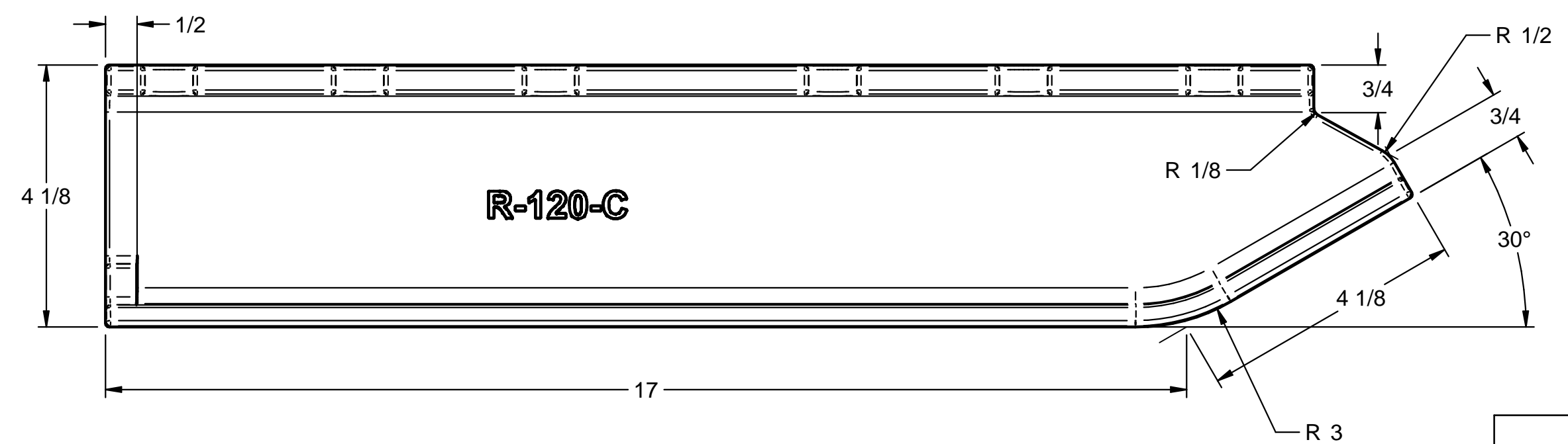
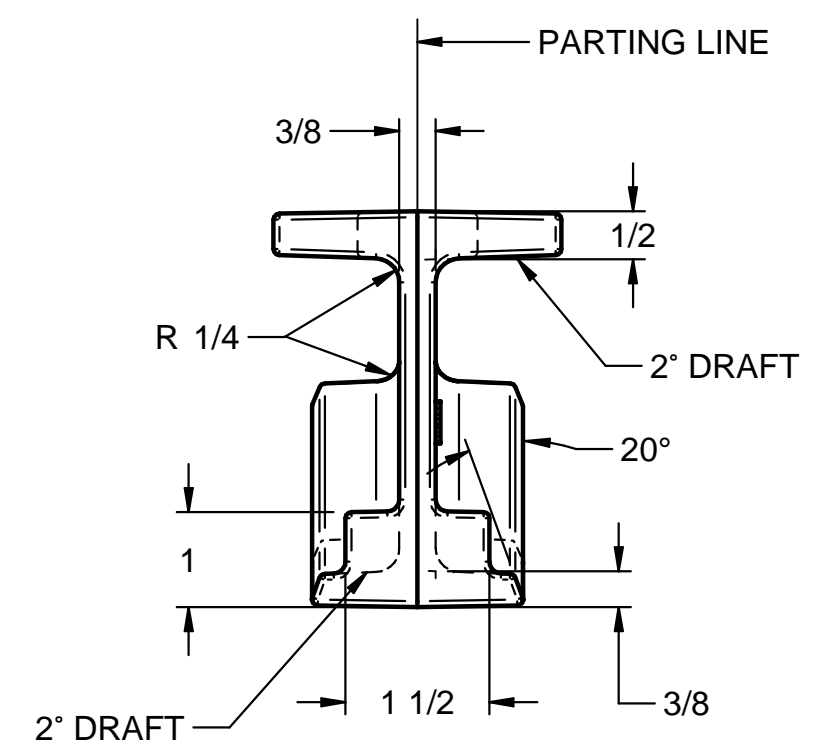


REVISION HISTORY				
REV	C.O.	DESCRIPTION	DATE	DRN/CHK/APR
A		NEW MODEL AND DRAWING	11/23/19	



VOLUME = 63.74 CUBIC INCHES
APPROX WEIGHT = 15.3 LBS



AnchorTech	
TITLE CASTING R-120-C	
DWG NO R-120-C	REV A
SCALE 1/2	SHEET 1 OF 1

THIRD ANGLE PROJECTION SIZE C