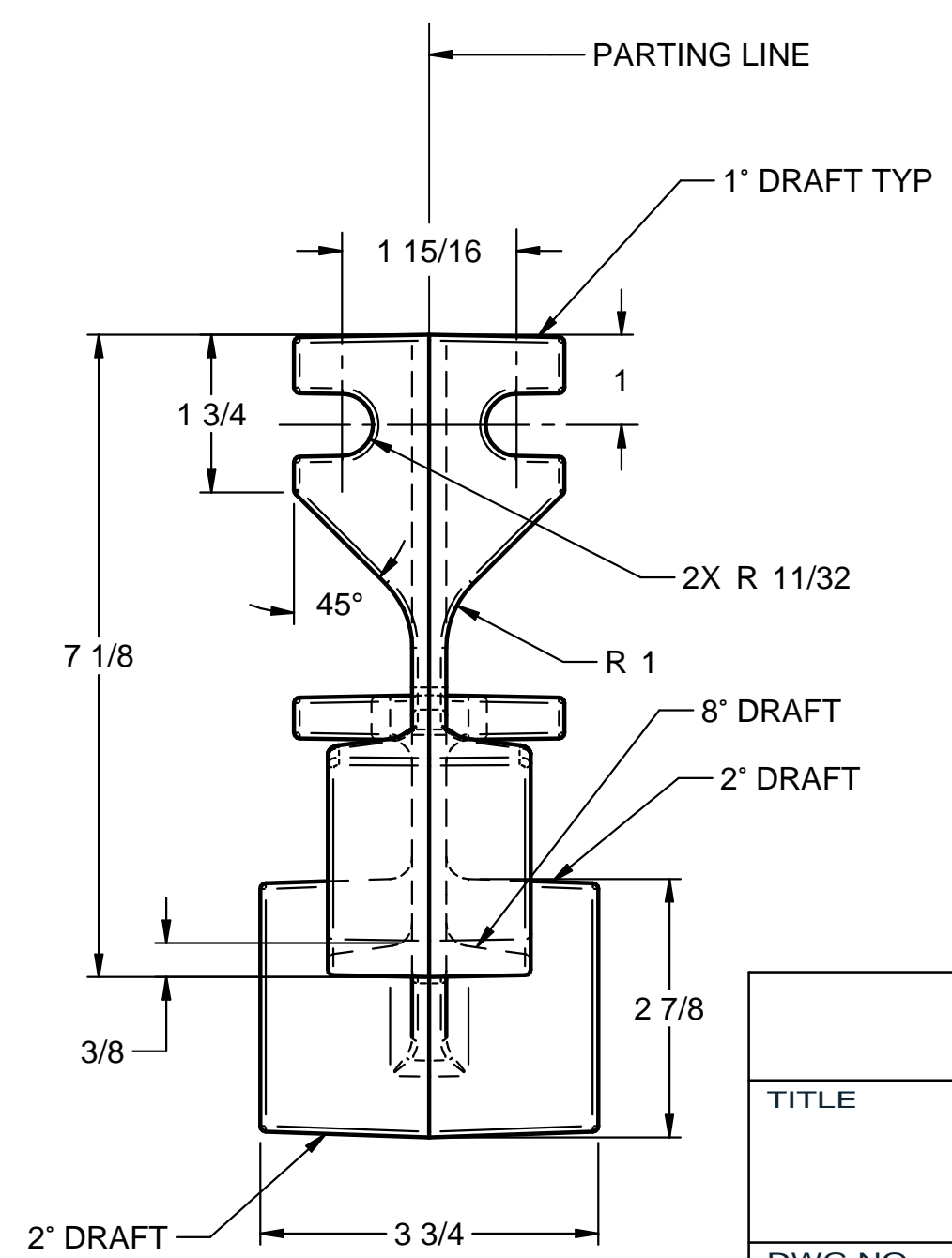
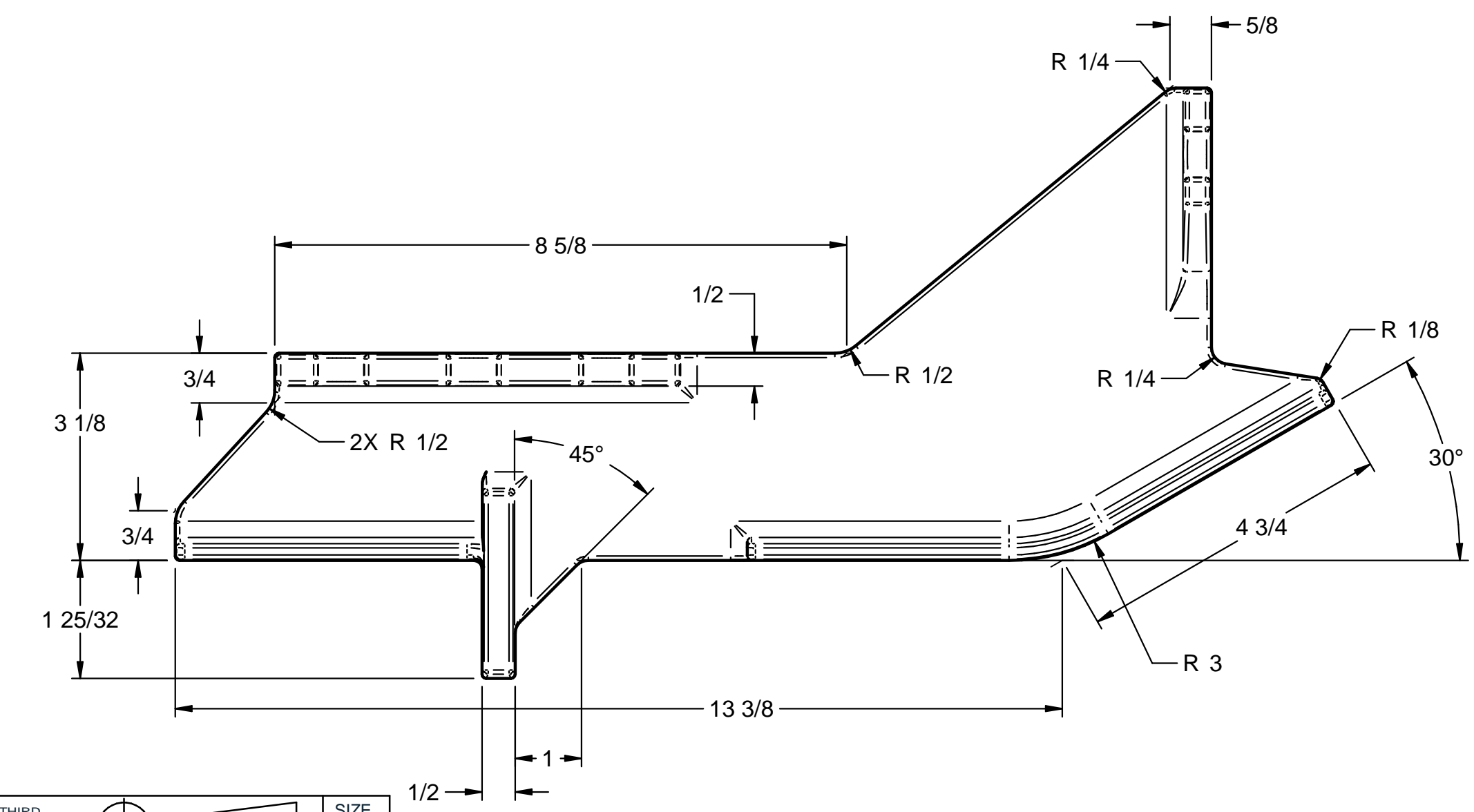
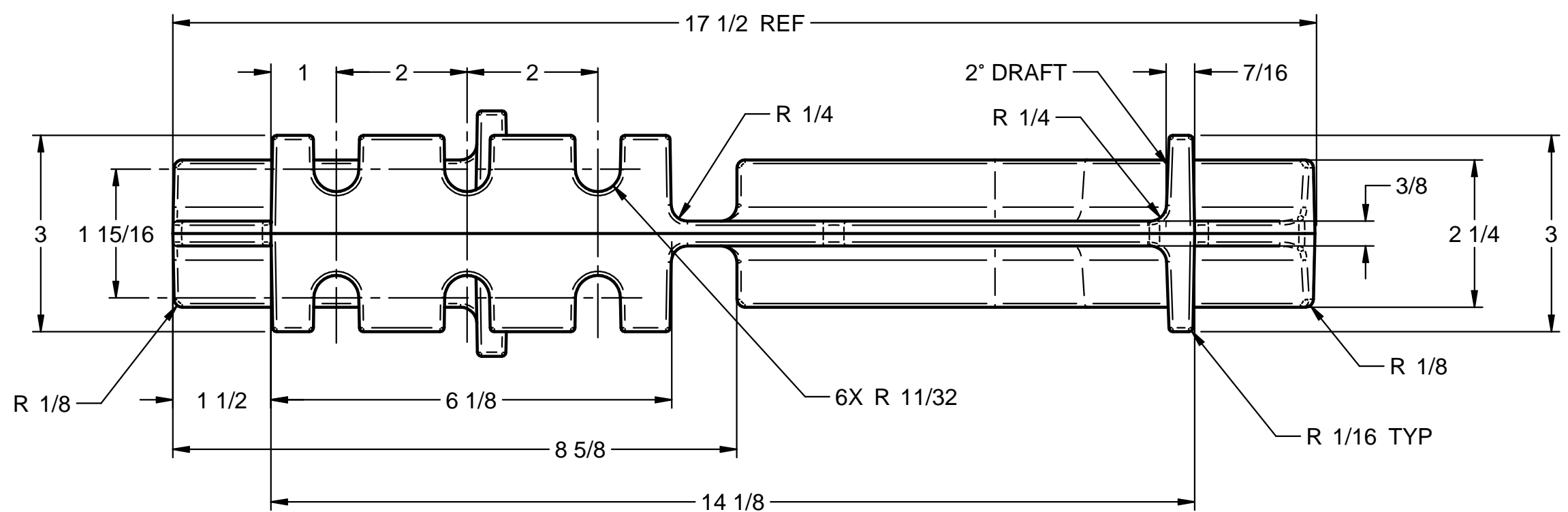
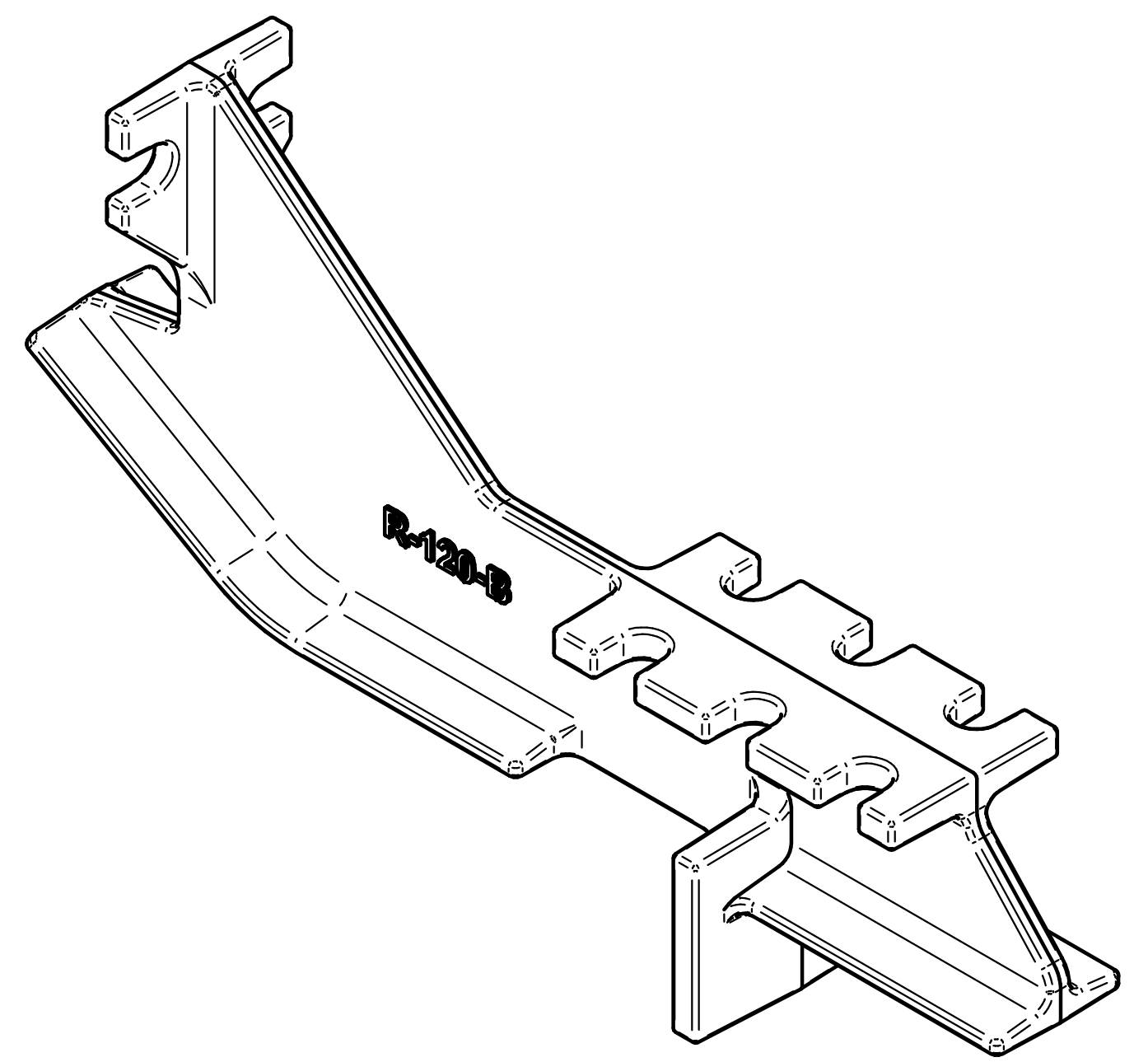
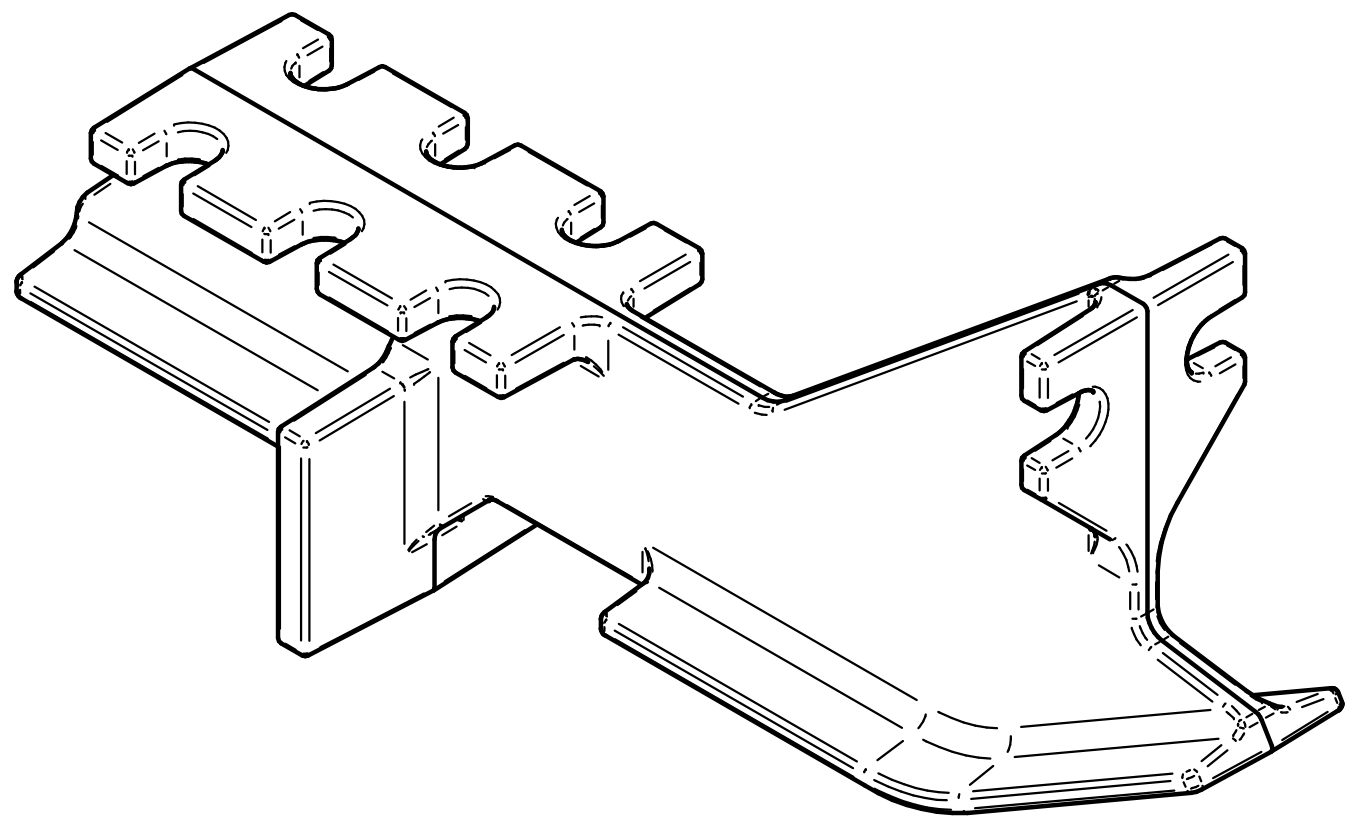


REVISION HISTORY				
REV	C.O.	DESCRIPTION	DATE	DRN/CHK/APR
A		NEW MODEL AND DRAWING	11/27/19	



VOLUME = 43.76 CUBIC INCHES
APPROX WEIGHT = 10.5 LBS

THIRD ANGLE PROJECTION SIZE C

AnchorTech	
TITLE CASTING R-120-B	
DWG NO R-120-B	REV A
SCALE 1/2	SHEET 1 OF 1